



Detex Corporation, 302 Detex Drive, New Braunfels, Texas 78130-3045
830-629-2900 / 800-729-3839 / Fax 800-653-3839 / Text photos only: 830-481-6433 / INTERNET: www.detex.com

**ELECTRICAL INSTRUCTIONS FOR DETEX VALUE SERIES® EE
DELAYED EGRESS AND "H" MODELS (HURRICANE)**

VALUE SERIES® EE

RIM, SVR

Dwg #: 101980 (RIM)
103560 (SVR)



Table of Contents	Page
Device parts breakdown view & part numbers.....	2
Mortise cylinder installation, device clearance check.....	3
EE Electrical Option.....	4-5
Riser Diagram.....	6
Flex Conduit / Hardwire Transfer.....	7
Delayed Egress Operations.....	8
Troubleshooting.....	9

FOR SPECIAL LOCKING ARRANGEMENT:

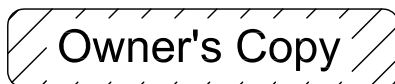
THIS PRODUCT MUST BE CONNECTED INTO A FIRE ALARM SYSTEM PER NFPA CODE OR OTHER REGULATIONS SO THAT, IN THE EVENT OF FIRE, THE TIME DELAY WILL BE BYPASSED. CONTACT YOUR LOCAL CODE AUTHORITY TO VERIFY COMPLIANCE WITH FIRE AND BUILDING CODES. THE DELAYED EGRESS DEVICE SHOULD BE ROUTINELY CHECKED FOR PROPER OPERATION AND COMPLIANCE WITH FIRE AND BUILDING CODES.

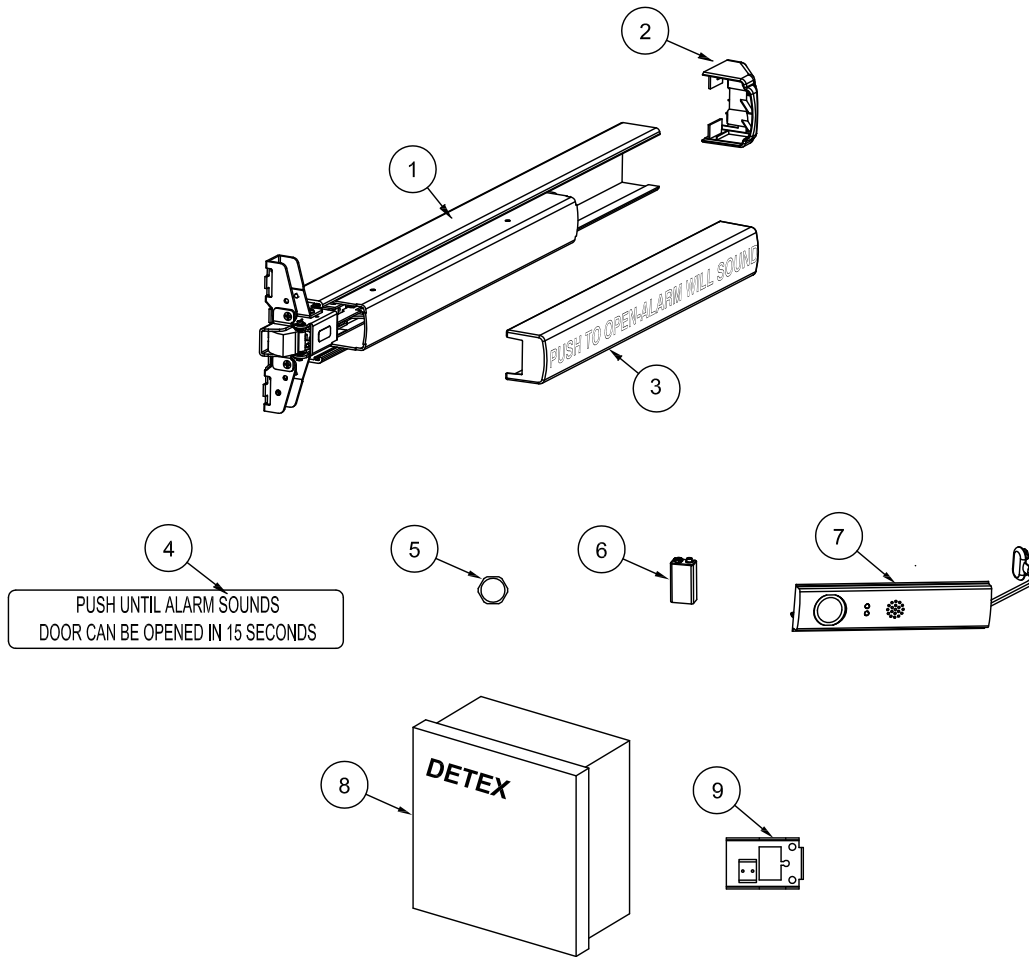
Should you have a Question/Problem with your Detex device please call Detex Technical Support from the job site at 1-800-729-3839 and choose option 2 on our menu. Please do not return the product to the distributor.

For **WARRANTY** information,
scan code below or
go to www.detex.com/warranty



For device installation videos,
scan code below or
go to www.detex.com/videos





PARTS BREAKDOWN		
Item	Order Part #	Description
1	106900-11	Centercase/Pushpad SubAssembly, S&R V40, EE, 36"
	106900-13	Centercase/Pushpad SubAssembly, S&R V40, EE, 48"
	106900-14	Centercase/Pushpad SubAssembly, S&R V50/51, EE, 36"
	106900-15	Centercase/Pushpad SubAssembly, S&R V50/51, EE, 48"
2	101822	Endcap, Value Series
3	101810-1	Pushpad Wrap, 3-0
	101815-1	Pushpad Wrap, 4-0
4	ECL-395	Door Sign, 15 second delayed egress
	ECL-395-1	Door Sign, 30 second delayed egress
5	100783	Hex Nut (for cylinder installation)
6	PP-5567	9V Battery
7	105032-3	Value Series, Rim, EE fillerplate, 3 ft, 15/15
	105032-4	Value Series, Rim, EE fillerplate, 4 ft, 15/15
	105032-15	Value Series, Rim, EE fillerplate, 3 ft, 1/15 SA
	105032-16	Value Series, Rim, EE fillerplate, 4 ft, 1/15 SA
	105031-3	Value Series, SVR, EE fillerplate, 3 ft, 15/15
	105031-4	Value Series, SVR, EE fillerplate, 4 ft, 15/15
	105031-15	Value Series, SVR, EE fillerplate, 3 ft, 1/15 SA
	105031-16	Value Series, SVR, EE fillerplate, 4 ft, 1/15 SA
8	90-800	90-800 Power Supply
9	101844	Endcap Bracket

Your particular part or configuration may not be shown:
 Contact Detex technical support at 800-729-3839 (option 2)

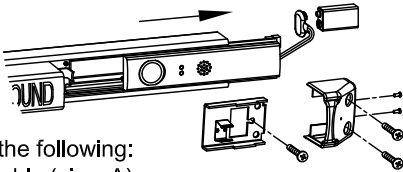
MORTISE CYLINDER INSTALLATION

PRECAUTIONARY NOTE:

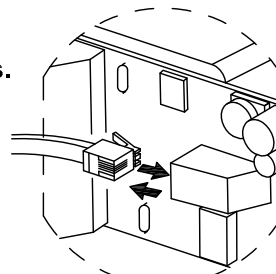
1. See "EE ELECTRICAL OPTIONS" before reinstalling filler plate.
2. Be careful when installing fillerplate assembly not to damage wires.

1

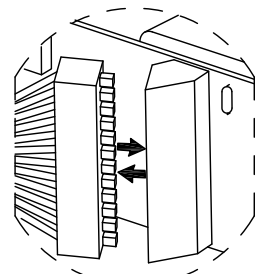
Remove endcap, endcap bracket & fillerplate subassembly.



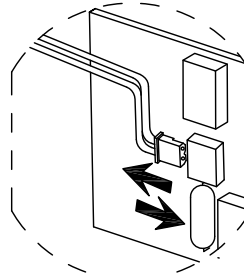
Disconnect the following:
 Cable assembly (view A),
 12 pin connector (view B),
 Magnet connection (view C),
 Surface Vertical Rod (SVR) connector (view D if applicable)
 Battery connection



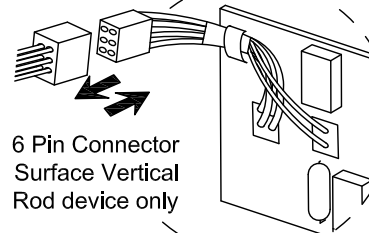
View A



View B



View C



View D

(note: board layout may differ slightly from layout shown)

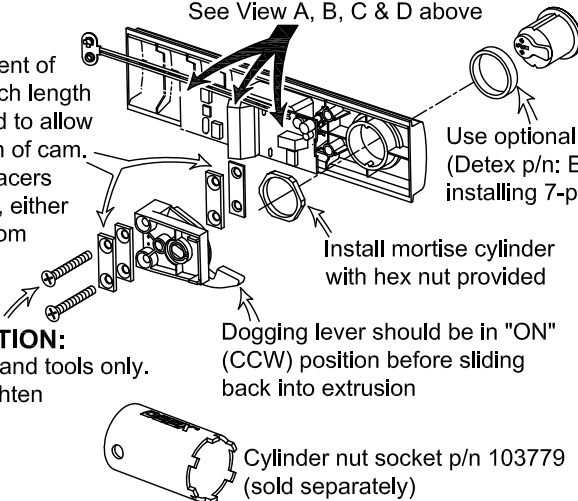
2

INSTALLING MORTISE CYLINDER

NOTE:

- (1) Move placement of spacers to match length of cylinder used to allow smooth rotation of cam.
- (2) All cylinder spacers must be used, either on top or bottom

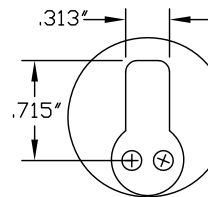
See View A, B, C & D above



Use optional cylinder collar (Detex p/n: ECL-1595) when installing 7-pin mortise cylinder

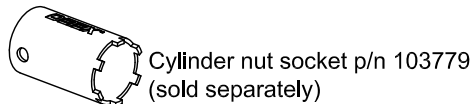
Install mortise cylinder with hex nut provided

Dogging lever should be in "ON" (CCW) position before sliding back into extrusion



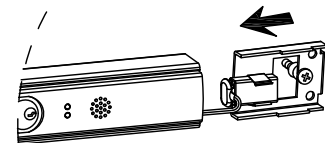
Mortise Cylinder with standard Yale cam required

CAUTION:
Tighten with hand tools only.
Do not overtighten



3

RE-INSTALL FILLERPLATE



Re-connect in the following order:

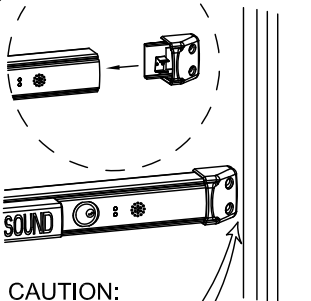
- 1) Cable assembly (view A),
 - 2) Battery,
 - 3) 12 pin connector (view B),
 - 4) 2 pin connector (view C),
 - 5) SVR connector (view D if applicable).
- Install fillerplate subassembly & endcap bracket.

CHECKING FOR DEVICE CLEARANCE

(Cut-Off procedure if required)

1

Slide endcap assembly onto extrusion



CAUTION:
Check device and door frame clearance.

Minimum Fillerplate Length	
Type	Length (L)
EE	9-3/8"

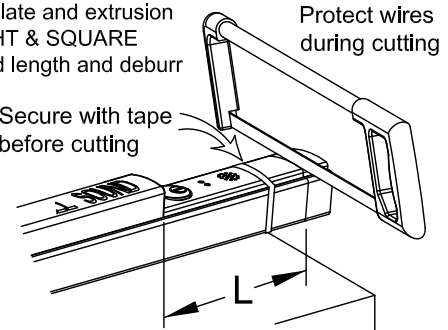
www.detex.com/cutdown

2

Cut fillerplate and extrusion STRAIGHT & SQUARE to desired length and deburr

Protect wires during cutting

Secure with tape before cutting



EE ELECTRICAL OPTION

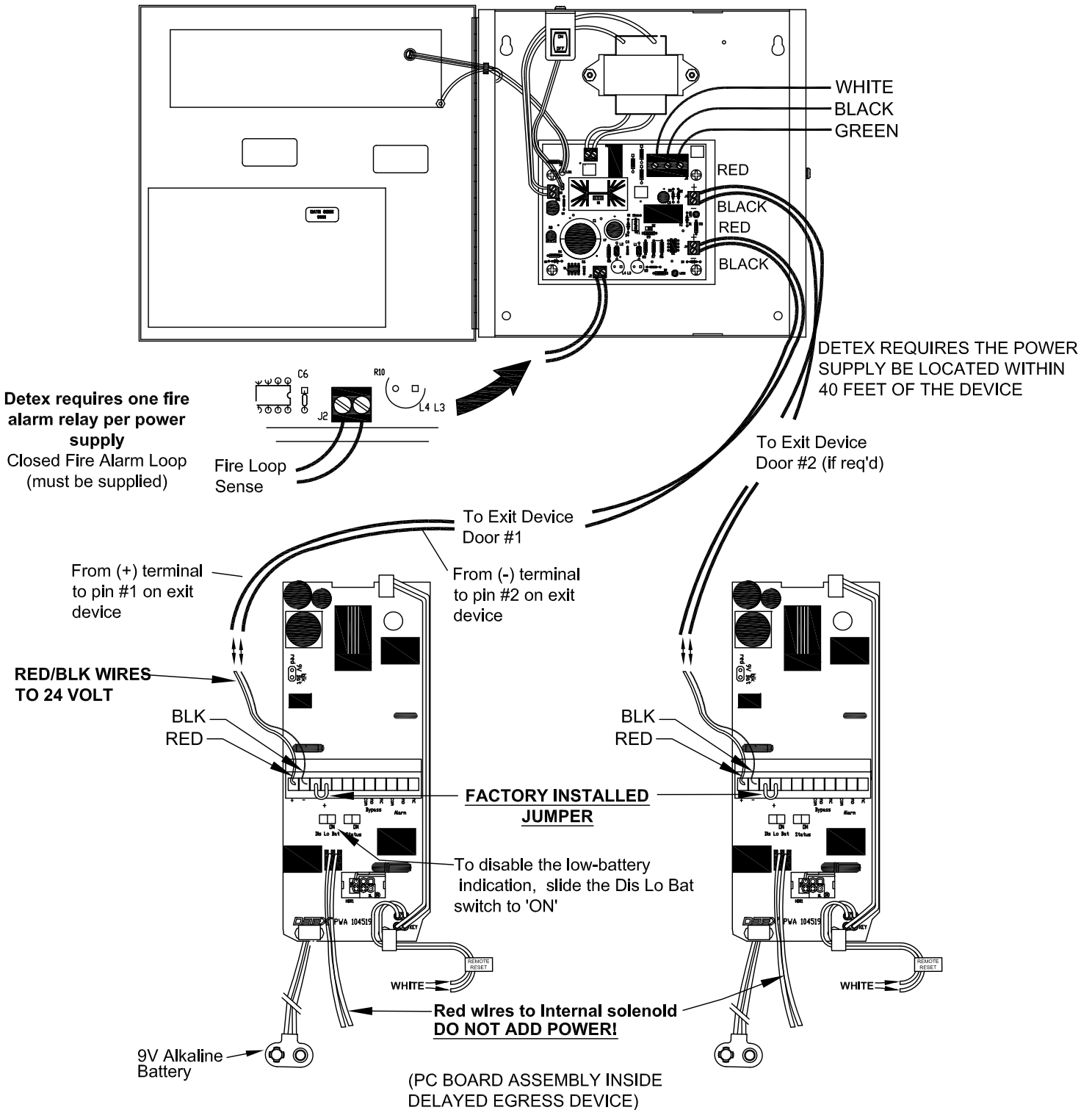
REQUIRES DETEX POWER SUPPLY

REQUIRED WIRE SIZES:

STRANDED WIRE GAUGE: 18 AWG MIN

MAXIMUM LENGTH OF TWO CONDUCTOR CABLE: 40 FEET

90-800 Power Supply with Detex Delayed Egress device



RISER DIAGRAM

DETEX FILTERED AND REGULATED POWER SUPPLY WITH FIRE ALARM SYSTEM LOOP 24 VDC @1 AMP MIN

DETEX REQUIRES THE POWER SUPPLY BE LOCATED WITHIN 40 FEET OF THE DEVICE

PROVIDE WIRING CONDUIT, CONNECTOR, ETC BETWEEN DETEX POWER SUPPLY AND FIRE ALARM CONTROL PANEL AS REQUIRED TO ALLOW THE FIRE ALARM SYSTEM TO OVERRIDE THE DETEX DELAYED EGRESS FEATURE DURING A FIRE ALARM

THE LOSS OF POWER OR OPEN FIRE ALARM CIRCUIT WILL ELIMINATE THE DELAYED EGRESS FUNCTION

REQUIREMENTS:
MIN. 22 GA STRANDED WIRE FOR SIGNALING
MIN. 18 GA STRANDED WIRE FOR POWER

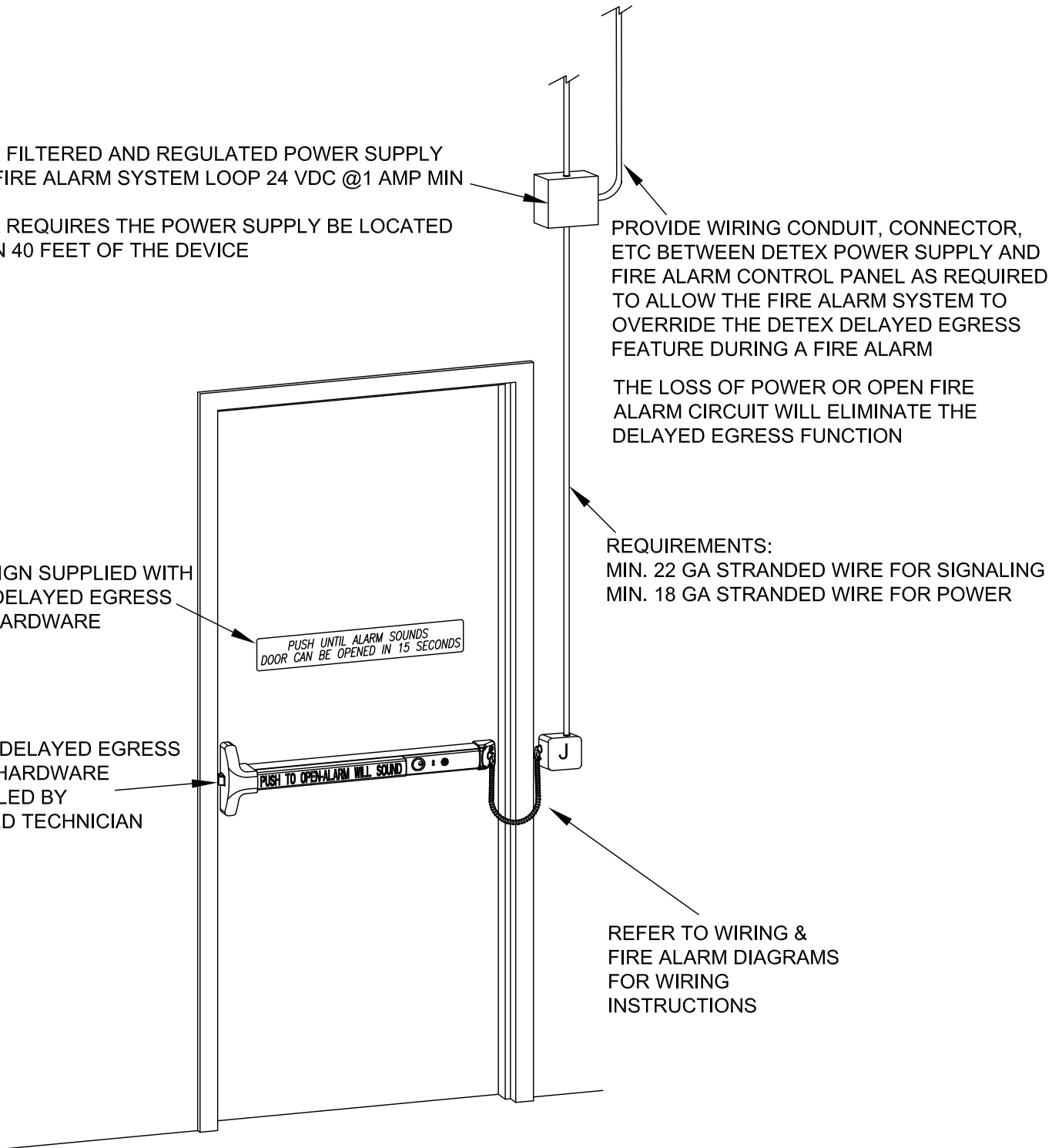
DOOR SIGN SUPPLIED WITH DETEX DELAYED EGRESS PANIC HARDWARE

PUSH UNTIL ALARM SOUNDS
DOOR CAN BE OPENED IN 15 SECONDS

DETEX DELAYED EGRESS PANIC HARDWARE INSTALLED BY TRAINED TECHNICIAN

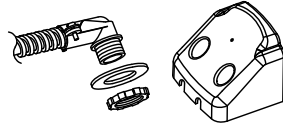
PUSH TO OPEN-ALARM WILL SOUND

REFER TO WIRING & FIRE ALARM DIAGRAMS FOR WIRING INSTRUCTIONS

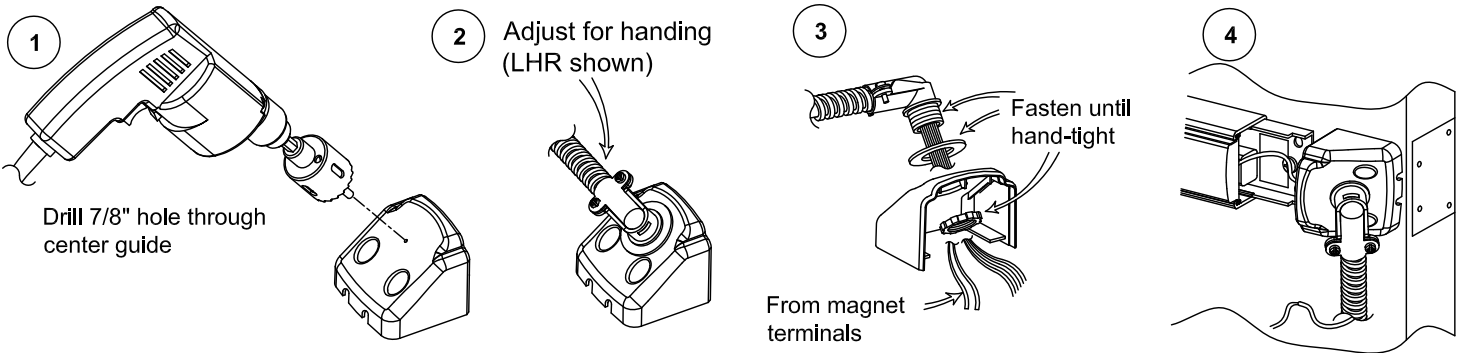


Value Series Flex Conduit/End Cap Kit

p/n: FC3



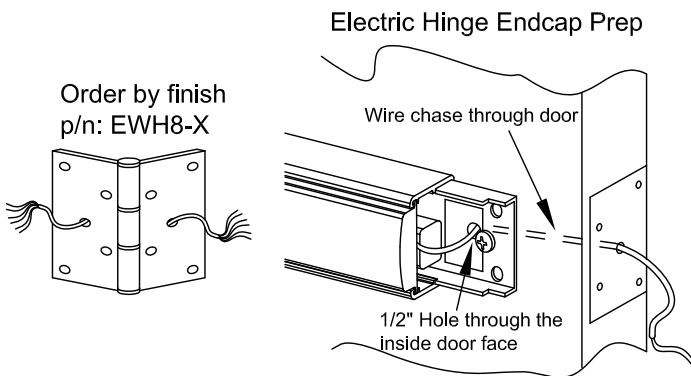
VALUE SERIES FLEX CONDUIT INSTALLATION



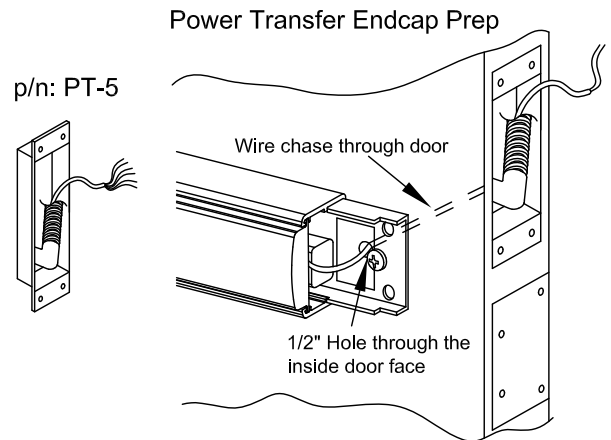
Note: For high traffic areas an electric through-wire hinge or power transfer is recommended.

OPTIONAL HARDWARE TRANSFER KITS

Electric Hinge

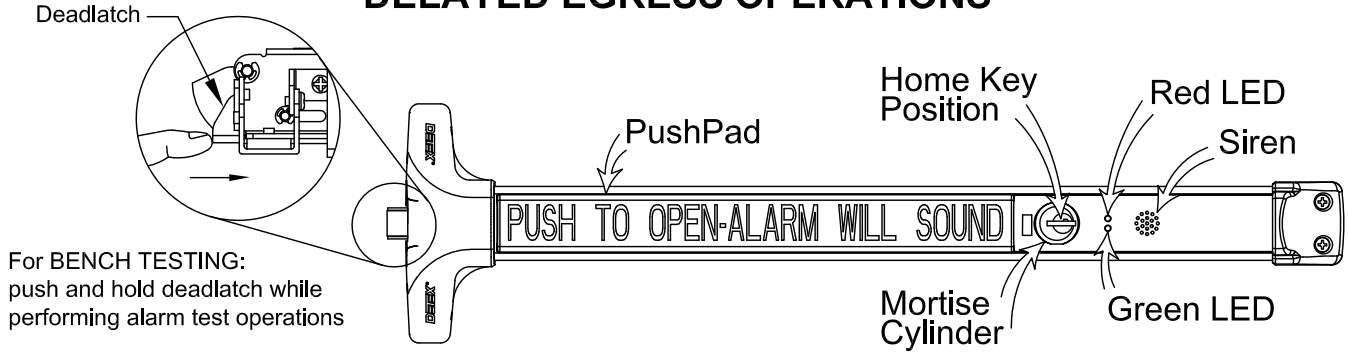


Power Transfer



Note: For high traffic areas an electric through-wire hinge or power transfer is recommended.

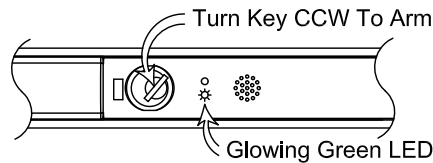
DELAYED EGRESS OPERATIONS



ARMING AND AUTHORIZED EXIT

(LHR rim device shown)

With door closed, insert key in the cylinder, turn CCW then back to the home key position and remove it. The red LED blinks twice then the green LED glows continuously. Authorized personnel can exit the door during this rearm cycle. After a 1, 5 or 15 second arming period, the alarm issues three quick beeps and the green LED goes off, indicating that the unit is armed.



DISARMING

Insert key, turn CW to a stop. Green LED will blink twice to indicate the unit is disarmed.

EXITING UNDER ALARM

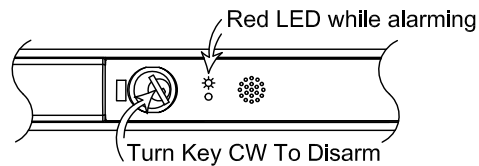
To exit, push and maintain pressure on the pushpad. After a one-second delay, (nuisance delay), LED flashes RED and alarm pulses on and off for 15 seconds. After 15 seconds, alarm issues short and long pulses to indicate that you can exit by depressing the pushpad. Alarm sounds continuously and LED is steady RED. Turn key CW to stop alarm. Egress is immediate when powered only by battery.

BATTERY BACKUP FOR ALARM

A 9-volt battery is included as a backup power source for the alarm siren if power is lost.

NUISANCE DELAY

When pushpad is depressed for less than 1 second, alarm will emit a single pulse but will not start delay function.



NORMAL OPERATION

LED COLOR		SIREN SOUNDS	FUNCTION
RED	GREEN		
OFF	ON	THREE CHIRPS	Indicates the unit is in process of arming. The siren will chirp three times to indicate the unit is armed and green LED will turn off
OFF	OFF		This indicates either armed or disarmed
ON	ON		Factory installed jumper removed from 3 & 4 terminals
SLOW BLINKING	OFF	SLOW PULSE	Pushpad is depressed, delay to open started
FAST BLINKING	OFF	FAST PULSE	Delay to open expired
ON	OFF	ON	Delay to open expired, door has been opened
DOUBLE BLINK	OFF	DOUBLE CHIRP	Low Battery - every 45 seconds
BLINK	OFF		Armed - status ON
OFF	BLINK		Disarmed - status ON

LOW BATTERY INDICATION

If battery voltage is low(7 volts or less), unit remains armed but LED flashes RED and unit beeps twice every 45 seconds. Replace battery as soon as possible. To disable low battery indication, slide the DisLoBat switch to 'ON'. See page 16 for location.

TROUBLESHOOTING

Problem	Probable Cause
Alarm sounds when power is applied:	Turn key clockwise to OFF position.
No green light when key is turned CCW:	<p>Confirm strike is pushing in dead latch. Door must be closed. See top of page 8.</p> <p>Confirm 24VDC power on the delayed egress device main board terminals 1(+) & 2(-).</p> <p>Confirm closed fire loop connection on power supply.</p> <p>Confirm cable is plugged in properly.</p> <p>Confirm the mortise cylinder is functioning correctly.</p> <p>Confirm the 2 pin connector on the latch end coming from the pushpad switch is plugged in properly.</p>
No delayed egress:	<p>Confirm closed fire loop connection on power supply.</p> <p>Confirm the 2-pin header with the two red wires are plugged into the delayed egress main board.</p> <p>Confirm 24VDC power on the delayed egress device main board terminals 1&2.</p>
Both red and green lights on:	Factory installed jumper removed from terminals 3 and 4.
Low battery signal- Two chirps every 45 seconds:	Check battery. If no battery is needed, slide DisLoBat switch on delayed egress main board to 'ON'. See electrical pages of instructions.

Technical Support 1-800-729-3839