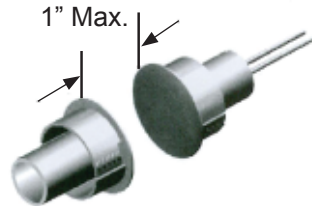
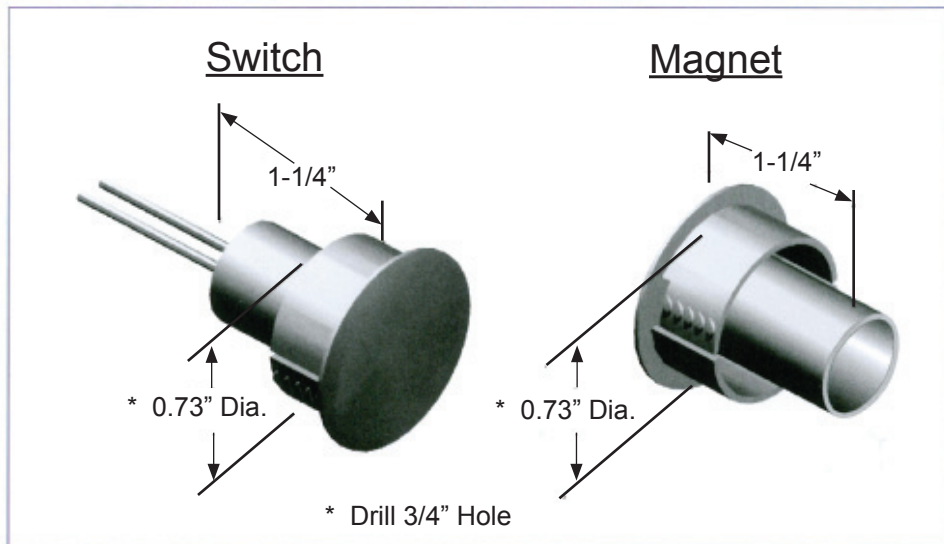


## Recessed Steel Door Magnetic Contact

- Solid, One piece design
- No need for extra donut adapter
- 12-1/2" Long wire
- UL-1061 AWG#22



### Dimensions



Where Trust is Built™  
**DETEX**®  
 Life Safety and Security Door Hardware

## High Quality Magnetic Contact

Hermetically Sealed Switches

Rhodium Over Gold Reeds

High Grade Magnets



**1 Per  
Assembly**

## Recessed Steel Door Magnetic Contact

- Self-Locking
- Simple Installation
- 0.73" Diameter
- Multiple Colors
- Max. Contact Rating  
28VDC, 0.5A, 10W



### Detex Corporation

302 Detex Drive  
 New Braunfels, Texas 78130  
 (800) 729-3839  
 Fax: (830) 620-6711  
 www.detex.com  
 Made in China  
 by Aleph America Corporation  
 for Detex Corporation  
 Instruction p/n: 103139, Rev: 06/15/11

**Model MS-1039F**  
 White, Magnetic Switch,  
 Flush Mount,  
 Magnetic Contacts

**Model MS-1059F**  
 Brown, Magnetic Switch,  
 Flush Mount,  
 Magnetic Contacts