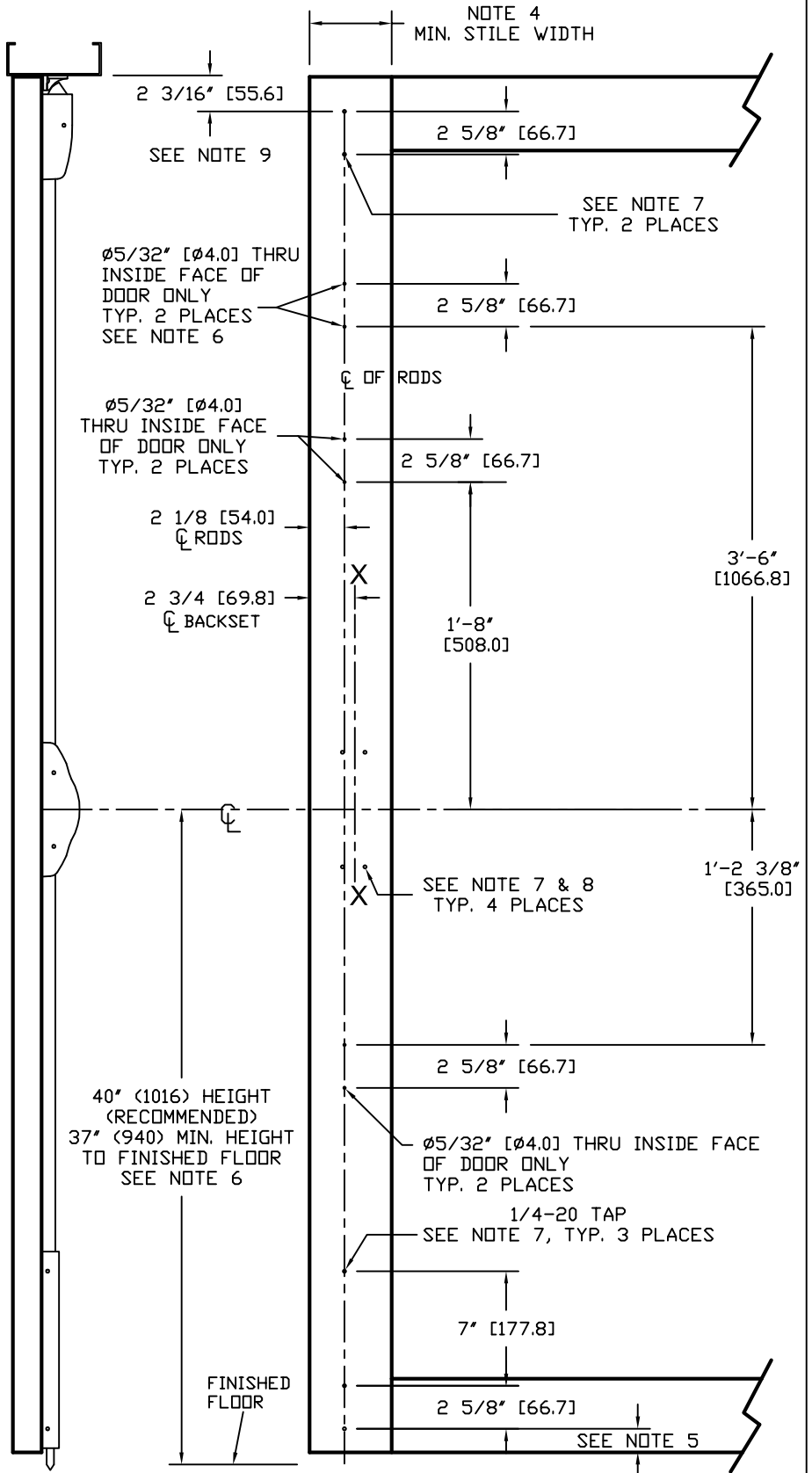
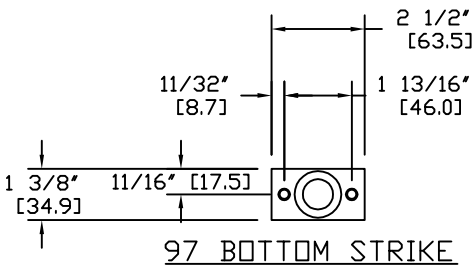


NOTES:

1. DO NOT SCALE DRAWING.
2. DIMENSIONS ARE IN INCHES [mm].
3. LHR DOOR SHOWN.
4. MINIMUM STILE WIDTH: 4-1/2" [114.3].
5. DIMENSION FROM BOTTOM OF DOOR TO BOTTOM HOLE IS 1-7/16" [36.5] OR, IF A RAISED OR ELEVATED SILL CONDITION EXISTS, MOVE HOLE LOCATION UP BY THE THICKNESS OF THE SILL CONDITION FROM THE BOTTOM OF DOOR.
6. REQUIRED FOR DOOR HEIGHTS OVER 7'0", OR IF DISTANCE BETWEEN DEVICE CENTER LINE TO TOP OF DOOR EXCEEDS 44".
7. DRILL & TAP 1/4-20 THREADS THRU INSIDE FACE OF DOOR ONLY. IF REQUIRED, THRU-BOLT HOLE SIZE 9/32" INTERIOR DOOR FACE, AND 3/8" EXTERIOR DOOR FACE.
8. PLEASE REFER TO HOLE DETAIL ON PAGE 2.
9. NOTCH OUT FRAME STOP FOR TOP STRIKE.



HDG. _____ DR. _____

RESPONSIBILITY
Door and Frame Manufacturers are responsible for providing adequate construction or reinforcements for proper installation of hardware shown. All architectural builders hardware must be installed on properly reinforced doors and frames regardless of the type, material or method of construction.

TEMPLATE
ALUMINUM DOOR
2001 SERIES
VERTICAL ROD EXIT DEVICE
BP-1 MOUNTING PLATE

DETEX CORPORATION

DO NOT SCALE DRAWING

DATE 3-29-10 TEMPLATE NUMBER T1070 Pg 1 OF 2

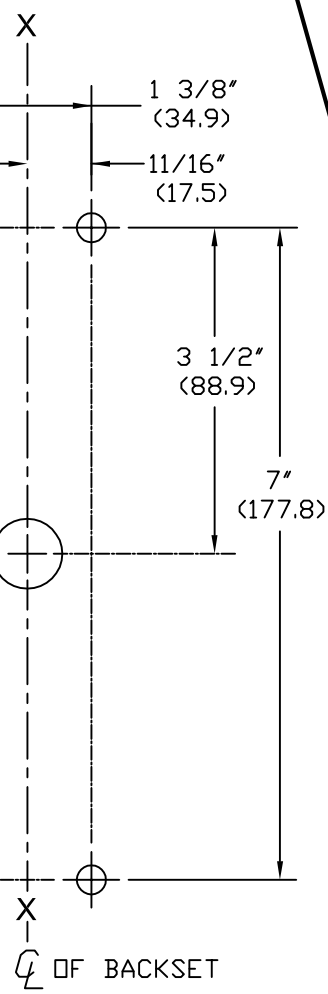
FOR NO TRIM:
1/4-20 TAP
4 PLS

FOR OUTSIDE TRIM ONLY:
INSIDE HOLES 5/16" (7.9)
OUTSIDE HOLES 1/2" (12.7)
4 PLS

FOR OUTSIDE TRIM ONLY
3/4" HOLE
(19.1)

40" (1016) HEIGHT
(RECOMMENDED)
TO FINISHED FLOOR

1/8" (3.2) GAP ASSUMED
(DOOR TO FRAME)



INSIDE FACE
OF LOCK STILE
LHR DOOR

NOTES:

1. LHR SHOWN; RHR OPPOSITE.
2. DIMENSIONS SHOWN IN INCHES AND (mm).

HDG. _____ DR. _____

RESPONSIBILITY
Door and Frame Manufacturers are responsible for providing adequate construction or reinforcements for proper installation of hardware shown. All architectural builders hardware must be installed on properly reinforced doors and frames regardless of the type, material or method of construction.

TEMPLATE
ALUMINUM DOOR
2001 SERIES
VERTICAL ROD EXIT DEVICE
BP-1 MOUNTING PLATE



DO NOT SCALE DRAWING

DATE
3-29-10

TEMPLATE NUMBER
T1070 Pg 2 OF 2